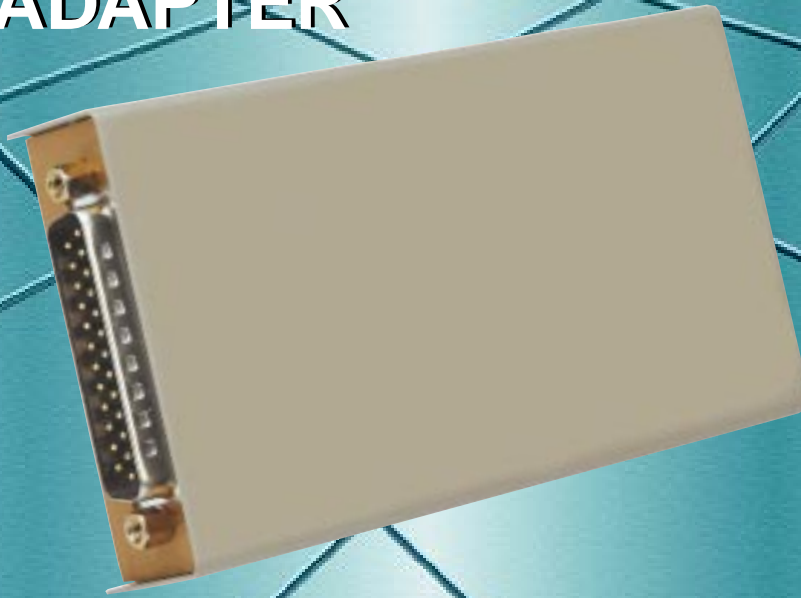


RA-64K RATE ADAPTER



FEATURES / BENEFITS

- ✓ **Interface - Async is RS-232
Sync is RS-422, RS-530, X.21
or V.35**
- ✓ **Data Rates - Async is
9.6kbps, 19.2kbps, 38.4kbps
and 57.6kbps
Sync is 64kbps**
- ✓ **Allows low speed async
terminals to access high
speed 64k sync circuits**
- ✓ **Compact and easy to install**
- ✓ **Line powered from data
interfaces**
- ✓ **Sturdy Metal Enclosure**

DESCRIPTION

The RA-64K Rate Adapter allows low speed async RS-232 DTE equipment to transmit over a high speed 64K sync communications link. The RA-64k devices are used in pairs, one at each end of the communications link or in multiples as when used in a multi-point or broadcast communications link. The RA-64k will support bi-directional or simplex data transmissions.

The RA-64k supports async character length of 8, 9, 10 and 11 bits, including the start and stop bit. The asynchronous interface is RS-232 and supports data rates of 9.6kbps, 19.2k, 38.4k and 57.6k. The synchronous data interface rate must be set at 64k and will support data interfaces of X.21, RS-422, RS-530 or optional V.35.

The RA-64k will support V.35 by ordering the unit under part number 147000. The RA-64k/V35 data interface will support both the old V.35 (+/-0 .5 volts) or newer V.35 (ITU recommendation V.11) ground to +3.8 volts. A DB-25 male to V.35 male 6 foot adapter cable is required for V.35 termination. The cable should be ordered under part number 712005.

The RA-64k derives its power through the async and sync data interfaces. The device utilizes leading edge technology for reliable, low power operation. The user should insure that the RA-64k has a minimum of three synchronous control signals available for proper operation.

The RA-64k is housed in a sturdy metal enclosure, has a three year warranty and a 24 hour turnaround on warranty repairs.

EAST COAST DATACOM, INC.

SPECIFICATIONS

Application

Interconnection of a low speed asynchronous terminal or DTE device operating at 19.2k, 38.4k and 57.6k to a synchronous 64k modem or DCE device

Capacity

One terminal(DTE) and one modem(DCE)

Data Rates

Async: 9.6kbps, 19.2Kbps, 38.4Kbps and 57.6Kbps
Sync: 64Kbps

Data Channel Interfaces

Async: RS-232
Sync: RS-422, X.21, RS-530 and V.35

Switches

Internal Switches for Baud Rate, Character Length and Crystal setting

Enclosure

Metal: Aluminum

Power Source

Line powered from data interfaces
Requires minimum of 3 control signals

Environmental

Operating Temperature....32° to 122° F (0° to 50° C)
Relative Humidity.....5 to 95%
Non-Condensing
Altitude.....0 to 10,000 feet

Dimensions

Height 0.50 inches (1.27 cm)
Width 1.75 inches (4.44 cm)
Length 3.90 inches (9.91 cm)

Weight

1/2 pound (0.225 Kg)

Warranty

Three Years, Return To Factory

ORDERING INFORMATION

Model: RA-64k/V11

Part Number: 146000

Description: RS-232 Async(19.2k, 38.4k & 57.6k to V.11 sync 64k Rate Adapter

* V.11 supports RS-422, X.21 and RS-530

Options for RA-64k/V11:

Part Number:712014

Description:6 ft.,DB-25 to X.21 adapter cable

Part Number:712015

Description:6 ft.,DB-25 to RS-422 adapter cable

Model: RA-64k/V35

Part Number: 147000

Description: RS-232 Async(19.2k, 38.4k & 57.6k to V.35 sync 64k Rate Adapter

Options for RA-64k/V35:

Part Number:712005

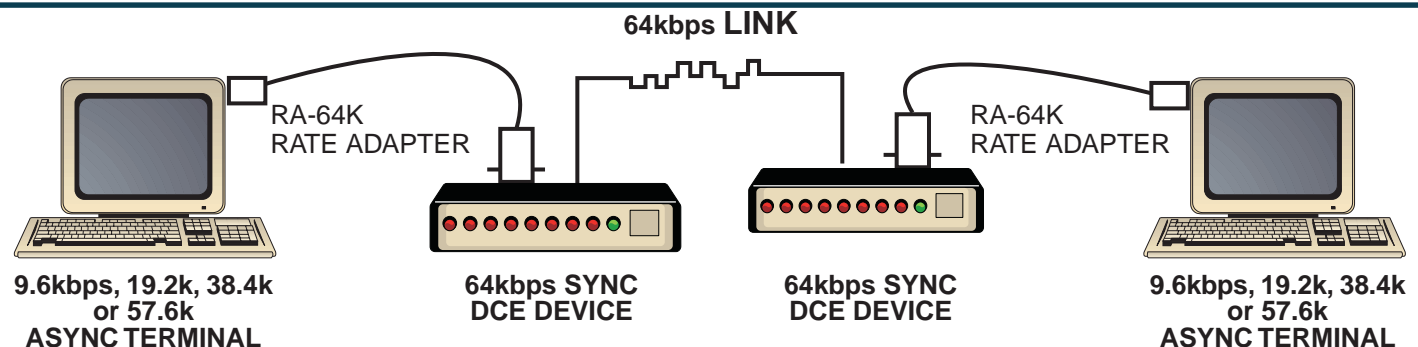
Description:6 ft.,DB-25 to V.35 adapter cable

INCLUDED WITH EACH UNIT:

1) Operations Manual

For further detailed technical information on this product, contact East Coast Datacom Technical Assistance toll free at (800) 240-7948

EAST COAST DATACOM DESIGNS AND MANUFACTURES DATA COMMUNICATION EQUIPMENT FOR YOUR NETWORK REQUIREMENTS.



SPECIFICATIONS ARE SUBJECT TO CHANGE WITHOUT NOTICE

EAST COAST DATACOM, INC.

245 Gus Hipp Boulevard, STE 3
Rockledge, FL 32955-4812 U.S.A.

TEL: (321) 637-9922

WEB SITE: www.ecdata.com

FAX: (321) 637-9980