

Remote Secure Console Server

Async2IP



FEATURES / BENEFITS

- ✓ Remote Secure Console Server via SSL
- ✓ Supports Unlimited Remote Sites
- ✓ Transports Async Serial Communications over a 10/100 Ethernet Network
- ✓ Async Data Rates - 1200bps to 115.2Kbps for Simultaneous Four-Port Operation
- ✓ Serial Interface - Four RS-232 Ports on RJ-45 Connectors
- ✓ LAN Interface - 10/100Base-T on RJ-45
- ✓ Supports Twisted Pair Crossover Detection and Auto-Correction (HP Auto-MDIX)
- ✓ Secure SSL Encryption
- ✓ Straight-through CAT-5 cabling for Easy Async Connection
- ✓ Log Off, Location I.D. feature and supports DHCP
- ✓ Firmware Upgrades via 10/100 LAN Port
- ✓ Extends Management Capabilities to Remote Devices
- ✓ AC or DC Power Supply Options
- ✓ 1U Rackmount Enclosure

DESCRIPTION

The Async2IP is a secure remote console access product that connects up to four async remote console serial ports, across a 10/100 LAN to the serial ports of a terminal at a central network control site. The Async2IP converts the full duplex asynchronous serial data stream to an encrypted TCP/IP packet stream.

The Async2IP units are initially configured via secure SSL HTML “web page” interfaces. This process allows the user to configure the LAN IP Address and the RS-232 Port speeds. After configuration all command and data functions are accomplished inside the terminal interface at the central site using HyperTerminal or Putty. The central site Async2IP unit(s) function as Master device. The Master Device can connect one session at a time to an unlimited amount of Remote Site units. Two or more Async2IP units are required to connect the serial devices over the LAN.

The asynchronous data is sent on byte boundaries, and when asynchronous CTS flow-control is honored the interconnected asynchronous ports may operate at different speeds. The asynchronous byte format supported is 8 data bits, 1 stop bit, and no parity. Therefore the asynchronous byte frame is 10 bits in length.

The Async2IP RS-232 serial ports are presented as a DCE device using an 8-pin RJ-45 connector for each of its asynchronous ports. The RJ-45 ports are pinned to be compatible with popular Routers and Switches.

Using the Async2IP is similar to using legacy dialup modems. From within the terminal window on the PC (which is connected to a Master Async2IP unit) an IP address and port number is entered while in command mode. Upon hitting ENTER this IP address is used to establish a secure TCP session with the desired Remote unit. When this TCP session is successfully made the two Async2IP units are now in Data Mode working just like a legacy modem would.

Once in Data mode all keystrokes entered in the terminal window are delivered to the attached remote user device at the other end of the LAN link. Conversely all display data generated by the remote user device is delivered to the terminal window in near Real Time.

The Async2IP unit's system firmware upgrades are accomplished via the 10/100 LAN port. This is also accomplished via encryption and password protected. After completion of the firmware upgrade the Async2IP will reset itself and resume normal communications. No system software is required to be installed on the user's network or workstations for operation of the Async2IP.

The Async2IP is housed in a sturdy 19 inch 1U high chassis and has a 90-120 VAC power supply. Additional power supplies of 90-240VAC or 36 to 72 Volts DC are also available.

The Async2IP has a 3-year warranty and a 24 hour turnaround on warranty repairs.

EAST COAST DATACOM, INC.

SPECIFICATIONS

Application

Remote Secure Console Server, 4-Port RS-232 Serial port management via Ethernet with a secure SSL

Capacity

Up to Four Serial Async Ports converted to one 10/100 Base-T LAN Port

Interface

RS-232 on RJ-45's, Async, 8, N, 1(10 bit)
LAN: 10/100 Base-T, RJ-45 with DHCP Support

Data Rates

Serial Data: 1200 bps to 115.2 Kbps for simultaneous 4-Port operation
LAN: 10/100Mbps

Data Format

Data transparent at all data rates

Serial Buffer

2048 bytes

Configuration Encryption

Via SSL Encrypted Web Browser Interface, supports SSL v3

User Configuration

Stored in Flash memory

Firmware Upgrades

Upgraded via 10/100 LAN Port

Indicators

System: Green or Yellow
Peer: Green or Yellow
Port 1: Green or Yellow
Port 2: Green or Yellow
Link: Green
Activity: Yellow

Power Source

AC Power Option: 90-120VAC 50Hz or 90-240VAC, 50/60Hz, external 110/220 select, IEC Power Inlet
DC Power Option: DC Voltage, Input Range of -36 to -72vdc,

Environmental

Lead Free: RoHS Compliant
Operating Temp: 32° to 122° F (0° to 50° C)
Relative Humidity: 5 to 95% Non-Condensing
Altitude: 0 to 10,000 feet

MTBF – Telcordia Issue 1

AC Powered: 371,246 hours
DC Powered: 330,734 hours

Dimensions

Length 3.22 inches (8.18 cm)
Width 19.00 inches (48.26 cm)
Height 1.75 inches (4.44 cm)

Weight

2 pounds (0.97 Kg)

Warranty

Three Years, Return To Factory

ORDERING INFORMATION

PT# 180055

Model: Async2IP

Desc: 4-Port Remote Secure Console Server
Power Supply Options

PT# 180062

Model: AC 110VAC

PT# 180072

Model: AC 110/220VAC

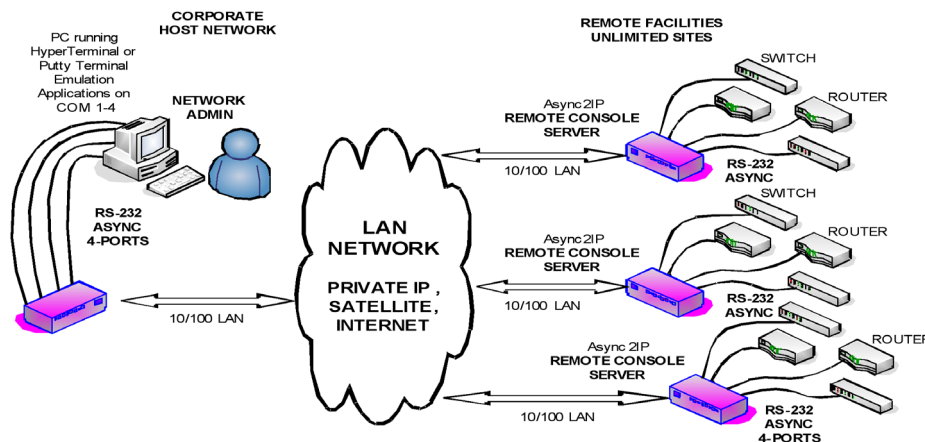
PT# 180076

Model: DC 36-72VDC

Included with each unit:

1) Installation Guide

EAST COAST DATACOM DESIGNS AND MANUFACTURES DATA COMMUNICATION EQUIPMENT FOR YOUR NETWORK REQUIREMENTS.



SPECIFICATIONS ARE SUBJECT TO CHANGE WITHOUT NOTICE

EAST COAST DATACOM, INC.

245 Gus Hipp Boulevard, STE 3 • Rockledge, FL 32955-4812 U.S.A.

TEL: (321) 637-9922

WEB SITE: www.ecdata.com

FAX: (321) 637-9980