



CAM-5B-22DN

550 TVL, Color Bullet Camera, 2.2 mm Fixed Lens, 170 Degree Wide Angel Lens



Analog High Resolution Camera Series

Bravo camera series offers superior imaging quality along with a wide selection of superior camera enclosures engineered by Aventura. The Bravo Series cameras have been setting the standards for image perfection. Bravo series cameras excel in challenging low light conditions and are constructed of the finest materials and are ruggedized to withstand the elements. Bravo cameras are available in a variety of lenses and enclosures to meet the requirements of professional CCTV integrators. Most Bravo cameras come with an unprecedented 10-year warranty.

SPECIFICATIONS

CAMERA	
Series	Bravo
Style	Bullet
Signal System	NTSC/PAL
Horizontal Resolution (D/N)	550 TVL day / 600 TVL night
Image Sensor	1/3" CCD
Picture Elements	NTSC: 768 (H) x 494(V) PAL: 752 (H) x 582 (V)
Lens	2.2 mm fixed
FOV Degrees (Horizontal/Vertical)	94.9°(H)/78.5°(V)
Auto Iris	---
Min. Illumination (day)	Color (day) 0.1 lux f1.4
Min. Illumination (night)	B/W (night) 0.002 lux f1.4
IR Beam Distance	---
Infrared	---
Day/Night (Electronic)	Yes
True Day/Night	---
Scanning System	2:1 interlaced
Signal-to-Noise Ratio	≥50 dB (AGC off)
Synchronization	Internal
Gamma Correction	0.45 approx.
Back Light Compensation	Yes
White Balance	Yes
On-Screen Display	---
Extra Spot Monitor Output	---
PoUTP	---
DNR (Digital Noise Reduction)	---
WDR (Wide Dynamic Range)	---
IR Cut Filter (Mechanical)	---
3 Way Axis Gimbal	---
Communication	---
ACCESSORIES	
Bracket	Yes
Sun Shield	---
Remote Control	---
Power Pigtail Lead	Yes
ENVIRONMENTAL	
Operation Temperature	14°F to 122°F (-10°C to 50 °C)
Storage Temperature	-4°F to 140°F (-20°C to 60 °C)
Operating Humidity	Up to 95%
Ingress Protection Rating (IEC 60529)	IP66
Weatherproof	Yes
Vandal Proof	---
ELECTRICAL	
Video Out	Composite signal 1.0Vp-p/75ohm
Signal Connector	BNC
Input Voltage	12 VDC
Current Draw	120 mA
Power Consumption	1 Watt
PHYSICAL	
Dimensions (W x H)	3.6" x 1.5" (90 x 37 mm)
Weight	0.39 lb (177 g)
Housing Material	Zinc
Housing Color	Black
Camera Mounting	Wall/ceiling
REGULATORY	
Regulatory Type	CE, FCC, UL
Warranty (Effective Jan 1, 2009)	10 Years

© Aventura Technologies

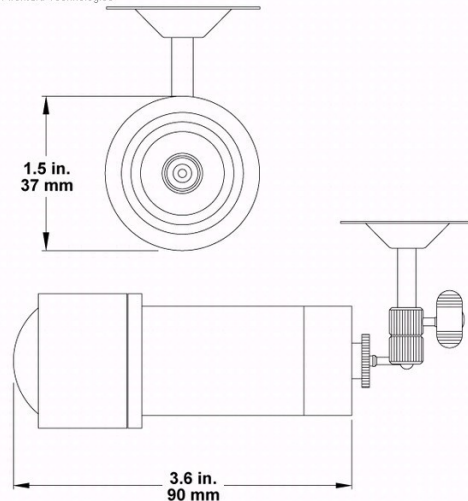


- 550 TVL color bullet camera
- 2.2 mm fixed lens/170 degrees viewing angle
- Weatherproof (IP66)
- Day/Night
- Auto Iris
- 12 VDC

AVAILABLE MODELS

Part number	Description
CAM-5B-22DN	550 TVL, color bullet camera, 2.2 mm fixed lens, day/night, auto iris, 170 degree wide angle, 12 VDC

© Aventura Technologies



Aventura - World Headquarters
 180 Adams Ave. Hauppauge, NY 11788 USA
 Tel: 631-300-4000 | Fax: 631-434-7000
www.aventuracctv.com

Aventura and the Aventura logo are registered trademarks of Aventura Technologies, Inc. Specifications subject to change without notice. ©Copyright 2010. All rights reserved

CAM-5B-22DN

Rev: 070910