

PART NUMBER

KAT177438-X

REV.

INITIAL

ELECTRICAL

FREQUENCY RANGE

DC-18GHz

ATTENUATION ACCURACY

0-6 dB

±0.30 dB

7-10, 20 dB

±0.50 dB

11-30 dB

±0.75 dB

40 dB

±1.50 dB

50, 60 dB

±2.00 dB

VSWR

DC - 4GHz

1.15:1

4 - 12.4GHz

1.25:1

12.4GHz - 18GHz

1.35:1

INPUT POWER

2 WATTS AVG. @ 25°C

PEAK POWER

500 WATTS

IMPEDANCE

50 OHMS

OPERATING TEMP RANGE

-65°C TO +125°C

MECHANICAL

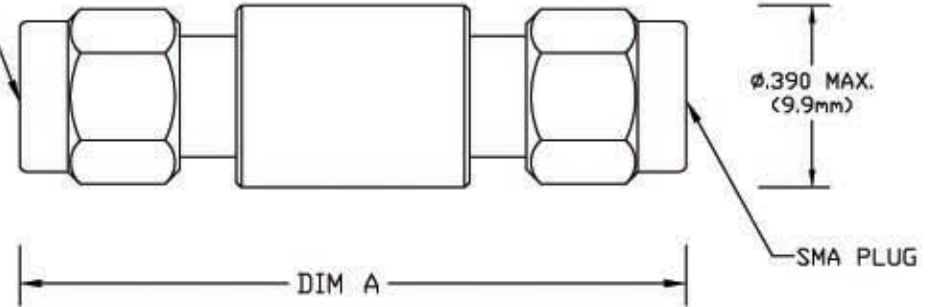
SMA CONNECTORS

CONDUCTORS

HOUSING

PASSIVATED STAINLESS STEEL
GOLD PLATED BERYLLIUM COPPER
PASSIVATED STAINLESS STEEL

SMA PLUG



dB	DIM A	WEIGHT
0-30	1.36 (34.5mm)	.30 oz MAX
31-60	1.92 (48.8mm)	.40 oz MAX

540 NW University Blvd. Ste. 109
Port Saint Lucie, Florida, 34986
1-800-790-5887

PART NUMBER

KAT177438-XDESCRIPTION **Fixed Attenuator, SMA Male/Male -
50 Ohm, DC-18 GHz, 2 Watts, X dB**

CAGE CODE

664U0

SIGNATURE

X

NOTES

THIS DRAWING INCLUDING THE
DESIGNS IS THE PROPERTY OF
KONNECT RF AND IS NOT TO
BE USED FOR ANY PURPOSE
WITHOUT OUR APPROVAL.

7 dB, X = 7**8 dB, X = 8****9 dB, X = 9**