

PART NUMBER

KAT177415-X

REV.

INITIAL

ELECTRICAL

FREQUENCY RANGE _____ DC- 18GHz

ATTENUATION ACCURACY ACROSS FREQ. RANGE

01-06 dB	±0.30 dB
07-12 & 20 dB	±0.50 dB
13-19 & 30 dB	±0.75 dB
40 dB	±1.50 dB

VSWR

DC - 4 GHz	1.15:1 MAX
4 - 12.4 GHz	1.25:1 MAX
12.4 - 18 GHz	1.35:1 MAX

INPUT POWER _____ 2 WATTS AVG. @ 25°C
 DERATES LINEARLY TO 10% @ 125°C FROM 25°C

RF LEAKAGE/RFI _____ >65 dBc (>90 dBc TYP.)

PEAK POWER _____ 500 WATTS
 (<5µSec PULSE WIDTH, .05% DUTY CYCLE)

IMPEDANCE _____ 50 OHMS

OPERATING TEMP RANGE _____ -65°C TO +125°C

CONFORMANCE TESTING IS 100% ATTENUATION AND V.S.W.R.
 ACROSS SWEEPED FREQUENCY RANGE AT 20-25°C

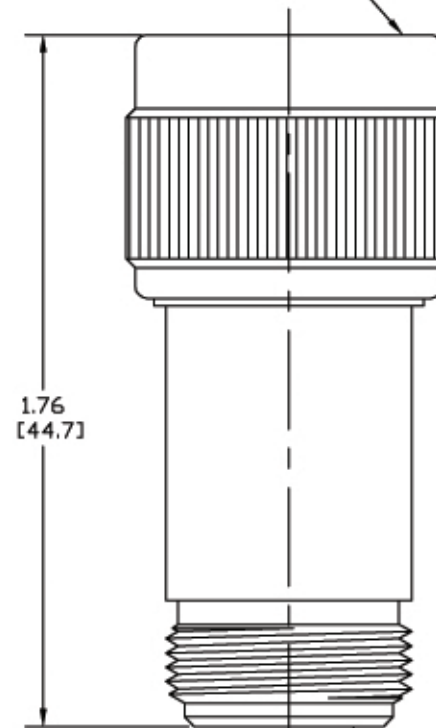
MECHANICAL

CONNECTOR BODIES _____ PASSIVATED STAINLESS STEEL
 CENTER CONDUCTORS _____ GOLD PLATED BERYLLIUM COPPER
 INSULATORS _____ PTFE (TEFLON) IAW ASTM-D1710
 RESISTIVE ELEMENT _____ THIN FILM ON CERAMIC RESISTIVE CIRCUIT
 NOT A HERMETIC SEALED UNIT

RoHS Compliant Device

MATERIALS, ENVIRONMENTAL PERFORMANCE & FINISHES COMPLY TO MIL-DTL-3933

MATES W/ TYPE N
 IAW MIL-STD-348



MATES W/ TYPE N
 IAW MIL-STD-348

Konnect RF

540 NW University Blvd. Ste. 109
 Port Saint Lucie, Florida, 34986
 1-800-790-5887

PART NUMBER

KAT177415-X

DESCRIPTION **Fixed Attenuator, N Male/Female -
 50 Ohm, DC-18 GHz, 2 Watts, X dB**

CAGE CODE

664U0

SIGNATURE

X

NOTES

Substitute X for dB Value

THIS DRAWING INCLUDING THE
 DESIGNS IS THE PROPERTY OF
 KONNECT RF AND IS NOT TO
 BE USED FOR ANY PURPOSE
 WITHOUT OUR APPROVAL.