

PART NUMBER

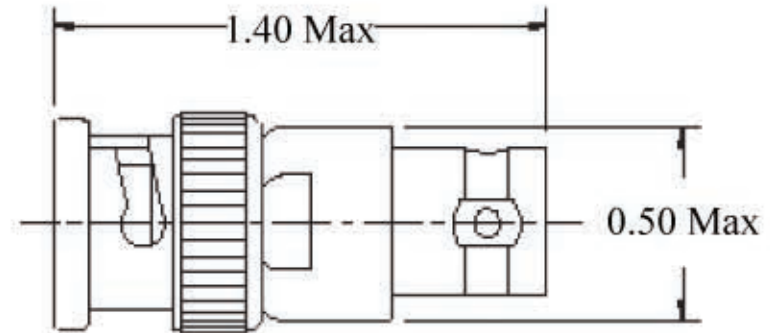
**KAT177395-XX**

REV.

INITIAL

**Electrical:**

Freq. Range:	DC – 4 GHz
Standard dB Values:	0-10, 12,15,20,30 dB
Attenuation Accuracy:	
0-6 dB	+/-0.3 dB
7-20 dB	+/-0.5 dB
21-30 dB	+/-0.75 dB
VSWR:	
DC-4 GHz	1.25:1 Max
Input Power:	2 Watts @ +25 °C Derated linearly to 0.5 Watts @ +125°C
Peak Power:	250 Watts Max
Impedance	50 Ohms
Operating Temp Range	-65 to +125 °C

**Mechanical:**

<b>BNC Connectors:</b>	<b>Nickel Plated Brass</b>
<b>Conductors</b>	<b>Gold Plated Beryllium Copper or Brass</b>

540 NW University Blvd. Ste. 109  
Port Saint Lucie, Florida, 34986  
1-800-790-5887

PART NUMBER

**KAT177395-XX**

DESCRIPTION

**Fixed Attenuator, BNC, 4GHz, XXdB**

CAGE CODE

**664U0**

SIGNATURE

X

NOTES

XX = dB Value  
(ex. 3dB = KAT177395-3)

THIS DRAWING INCLUDING THE  
DESIGNS IS THE PROPERTY OF  
KONNECT RF AND IS NOT TO  
BE USED FOR ANY PURPOSE  
WITHOUT OUR APPROVAL.