

PART NUMBER

**KAT177225-X**

REV.

INITIAL

**ELECTRICAL**

FREQUENCY RANGE 2082-604X-dB \_\_\_\_\_ DC-18GHz  
 2082-602X-dB \_\_\_\_\_ DC-12.4 GHz  
 2082-601X-dB \_\_\_\_\_ DC-8 GHz

ATTENUATION ACCURACY \_\_\_\_\_ 0-6.0 ± 0.30  
 \_\_\_\_\_ 6.5-20 ± 0.50  
 \_\_\_\_\_ 21-30 ± 0.75  
 \_\_\_\_\_ 40 dB ± 1.0

VSWR (MAX. for PN Freq. Range)  
 DC - 4 GHz \_\_\_\_\_ 1.15:1 MAX  
 4 - 12.4 GHz \_\_\_\_\_ 1.25:1 MAX  
 12.4 - 18 GHz \_\_\_\_\_ 1.35:1 MAX

POWER (AVE): \_\_\_\_\_ 2 WATTS

DERATE FROM 25°C to 10% @ 125°

POWER (PEAK): \_\_\_\_\_ 500 WATTS

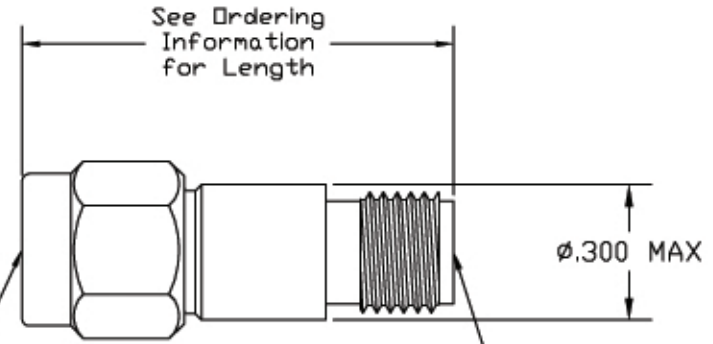
At 5m Second Pulse Width & 0.1 % Duty Cycle

IMPEDANCE \_\_\_\_\_ 50 OHMS

OPERATING TEMP RANGE \_\_\_\_\_ -65°C TO +125°C



SMA PLUG PER  
MIL-STD-348



SMA JACK PER  
MIL-STD-348

dB Values	Length	
	Inch	mm
0-/ 3 dB	0.86	[21.8]
4 / 6 dB	0.86	[21.8]
7 / 10 dB	0.86	[21.8]
11 / 12 dB	0.86	[21.8]
13 / 20 dB	1.02	[25.9]
25, 30 and 40 dB	1.02	[25.9]
50 dB	1.02	[25.9]

-1 = 1 dB

-2 = 2 dB

-3 = 3 dB

-5 = 5 dB

-10 = 10 dB

540 NW University Blvd. Ste. 109  
 Port Saint Lucie, Florida, 34986  
 1-800-790-5887

PART NUMBER

**KAT177225-X**

DESCRIPTION **Fixed Attenuator, SMA Male/Female -  
50 Ohm, DC-18 GHz, 2 Watts, X dB**

CAGE CODE

**664U0**

SIGNATURE

X

NOTES

**MECHANICAL**

SMA CONNECTOR  
HOUSING \_\_\_\_\_ PASSIVATED STAINLESS STEEL

SMA CONNECTOR  
CENTER CONTACT \_\_\_\_\_ GOLD PLATED BERYLLIUM COPPER

RESISTIVE ELEMENT \_\_\_\_\_ THIN FILM HYBRID ON  
99.6% ALUMINA SUBSTRATE

THIS DRAWING INCLUDING THE  
DESIGNS IS THE PROPERTY OF  
KONNECT RF AND IS NOT TO  
BE USED FOR ANY PURPOSE  
WITHOUT OUR APPROVAL.