

PART NUMBER

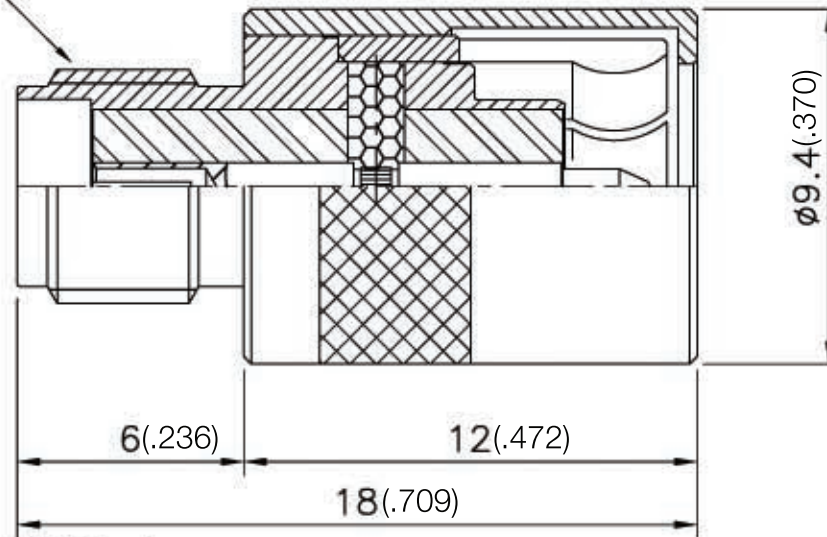
**KAD178244**

REV.

INITIAL

RoHS Compliant

1/4-36UNS-2A



## SPECIFICATION

Dielectric Withstanding Voltage : 1000V min  
 Working Voltage : 500 VRMS Max.  
 Impedance : 50 ohm  
 Frequency Range : DC~12GHz  
 V.S.W.R : 1.2 :1 Max.  
 Insulation Resistance : 5000MΩ min  
 Contact Resistance : < 3mΩ  
 Durability : 200 Cycles Min.

540 NW University Blvd. Ste. 109  
 Port Saint Lucie, Florida, 34986  
 1-800-790-5887

PART NUMBER

**KAD178244**

DESCRIPTION

**Adapter, In-Series -  
 SMA Male Plug to Female Jack, Quick Connect**

CAGE CODE

**664U0**

SIGNATURE

X

NOTES

THIS DRAWING INCLUDING THE  
 DESIGNS IS THE PROPERTY OF  
 KONNECT RF AND IS NOT TO  
 BE USED FOR ANY PURPOSE  
 WITHOUT OUR APPROVAL.

Connector parts	Materials	Finish
Body	Brass	Gold plated
Outer contact	Beryllium copper	Gold plated
Center contact	Beryllium copper	Gold plated
Insulator	PTFE	-