

PART NUMBER

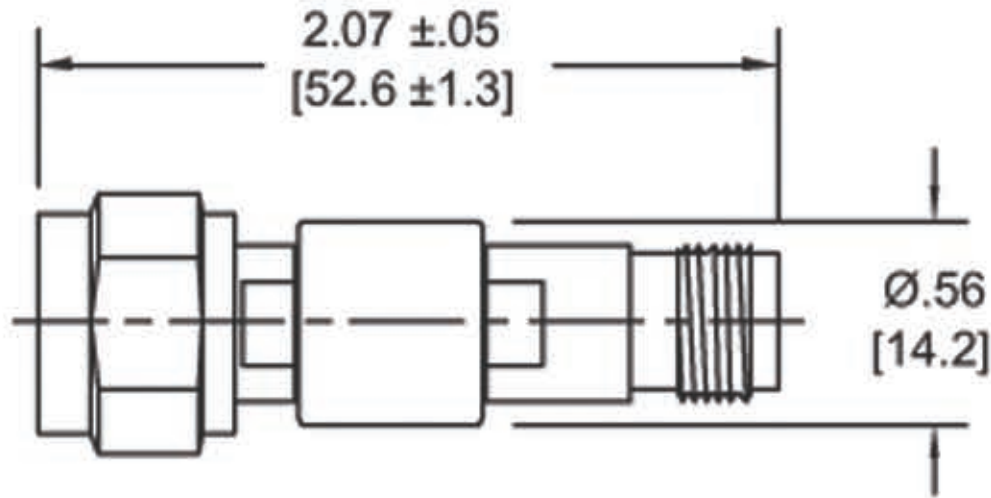
**KAD177948**

REV.

INITIAL

**Electrical:**

Frequency Range \_\_\_\_\_ DC - 18.0 GHz  
 VSWR \_\_\_\_\_ 1.20:1 Max.  
 Impedance \_\_\_\_\_ 50 Ohms  
 Operating Temp Range \_\_\_\_\_ -65°C to +125°C



540 NW University Blvd. Ste. 109  
 Port Saint Lucie, Florida, 34986  
 1-800-790-5887

PART NUMBER

**KAD177948**

DESCRIPTION

**Precision Adapter, In-Series -  
TNC Male Plug to Female Jack**

CAGE CODE

**664U0**

SIGNATURE

X

NOTES

Connectors \_\_\_\_\_ Passivated Stainless Steel  
 Mates with MILSTD-348  
 Conductors \_\_\_\_\_ Gold Plated Beryllium Copper

THIS DRAWING INCLUDING THE  
 DESIGNS IS THE PROPERTY OF  
 KONNECT RF AND IS NOT TO  
 BE USED FOR ANY PURPOSE  
 WITHOUT OUR APPROVAL.