

PART NUMBER

**KAD177939**

REV.

DATE

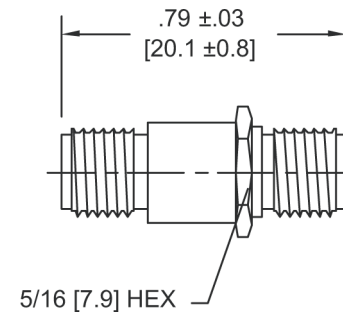
DESC.

INITIAL

**Electrical Data**

Impedance 50 Ohm

VSWR DC - 18 GHz = 1.10:1 Max.  
 18 - 26.5 GHz = 1.15:1 Max.  
 26.5 - 40 GHz = 1.25:1 Max.



WWW.KONNECTRF.COM  
 540 NW University Blvd. Ste. 109  
 Port Saint Lucie, Florida, 34986  
 1-800-790-5887

PART NUMBER

**KAD177939**

DESCRIPTION

**Adapter - In-Series - 2.92 Female Jack to Female Jack**

CAGE CODE

**664U0**

SIGNATURE

X

**Materials**

Body  
Center Contact

Stainless Steel  
Be-Cu

Passivated  
Gold Plated

THIS DRAWING INCLUDING THE  
 DESIGNS IS THE PROPERTY OF  
 KONNECT RF AND IS NOT TO  
 BE USED FOR ANY PURPOSE  
 WITHOUT OUR APPROVAL.