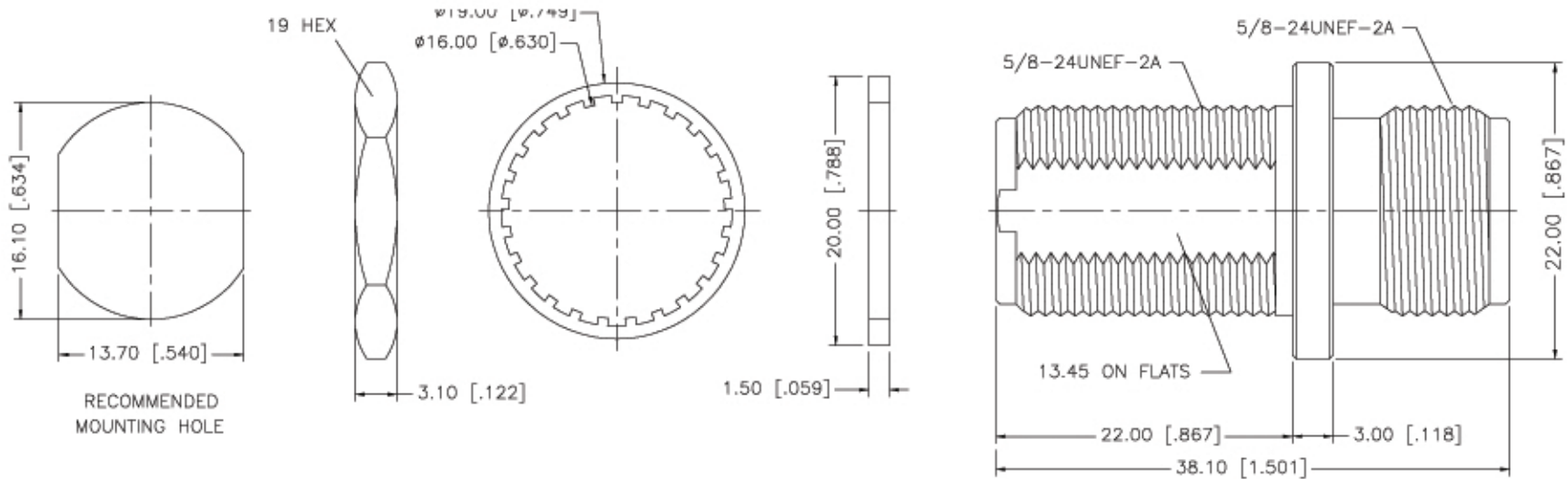


PART NUMBER

KAD177855

REV.

INITIAL



540 NW University Blvd. Ste. 109
Port Saint Lucie, Florida, 34986
1-800-790-5887

PART NUMBER

KAD177855

DESCRIPTION

**Adapter, In-Series -
N Straight Jack to Jack Bulkhead**

CAGE CODE

664U0

SIGNATURE

X

NOTES

THIS DRAWING INCLUDING THE
DESIGNS IS THE PROPERTY OF
KONNECT RF AND IS NOT TO
BE USED FOR ANY PURPOSE
WITHOUT OUR APPROVAL.

6	HEX NUT	BRASS	WHITE BRONZE	1
5	LOCK WASHER	BRASS	WHITE BRONZE	1
4	GASKET	SILICONE	RED	1
3	CONTACT PIN	PHOS. BRONZE	GOLD	1
2	INSULATOR	TEFLON	NATURAL	1
1	HOUSING/BODY	BRASS	WHITE BRONZE	1
	DESCRIPTION	MATERIAL	FINISH	QTY