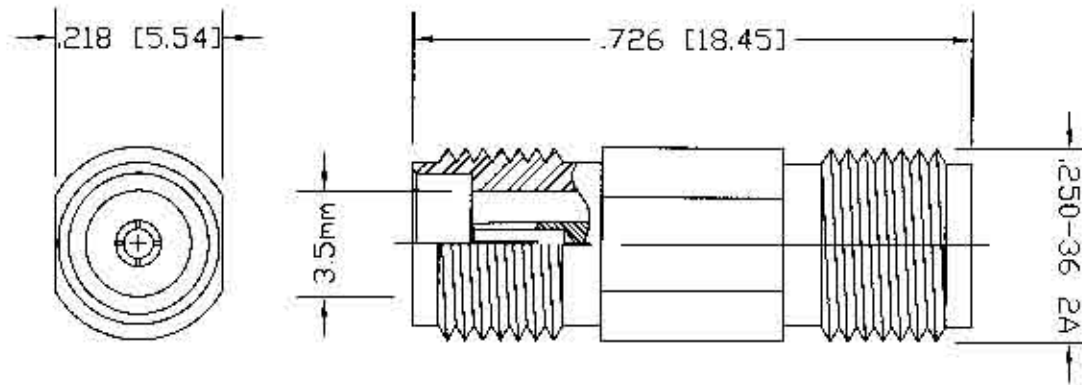


PART NUMBER

KAD177783

REV.

INITIAL

**SPECIFICATIONS:**IMPEDANCE RANGE: 50 OhmsFREQUENCY RANGE: DC to 34 GHzVSWR: 1.04 + .006 f (f=GHz) Max. DC-34 GHzCONTACT RESISTANCE:

Outer Contact= 2.0 milliohms

Center Contact= 3.0 milliohms

CONNECTOR DURABILITY: 500 Cycles minimumTEMPERATURE RANGE: -55° C TO 105° C**MATERIALS:**

Body and Body Components:
Non-Magnetic stainless steel, per ASTM
A582, class 303 condition A.
Contacts: Beryllium copper,
per QQ-C-530, heat treated per
MIL-H-7199
Insulators: REXOLITE

FINISH:

Center Contacts:

.000050 min. gold per MIL-C-45204B
Type II, Grade C, Class 1
over .000050 min. Nickel per
QQ-N-290A

Other Metal Parts:

Passivated, (as specified)
to meet the finish and
corrosion requirements of MIL-C-39012.

540 NW University Blvd. Ste. 109
Port Saint Lucie, Florida, 34986
1-800-790-5887

PART NUMBER

KAD177783

DESCRIPTION

**ADAPTER, IN-SERIES, 3.5mm FEMALE
JACK to FEMALE JACK, PRECISION**

CAGE CODE

664U0

SIGNATURE

X

NOTES

1	001-35F-001-SP	1	BQDY	SST.	PASS
2	008-35F-001-0G	1	CONTACT	BE.CU.	AU/NI
3	008-35F-002-0G	1	CONTACT	BE.CU.	AU/NI
4	025-35X-000-RX	1	BEAD	REX	---
5	032-35F-000-SP	1	INSERT	SST.	PASS
#	PART NO.	QTY	DESCRIPTION	MATRL	PLATE

THIS DRAWING INCLUDING THE
DESIGNS IS THE PROPERTY OF
KONNECT RF AND IS NOT TO
BE USED FOR ANY PURPOSE
WITHOUT OUR APPROVAL.