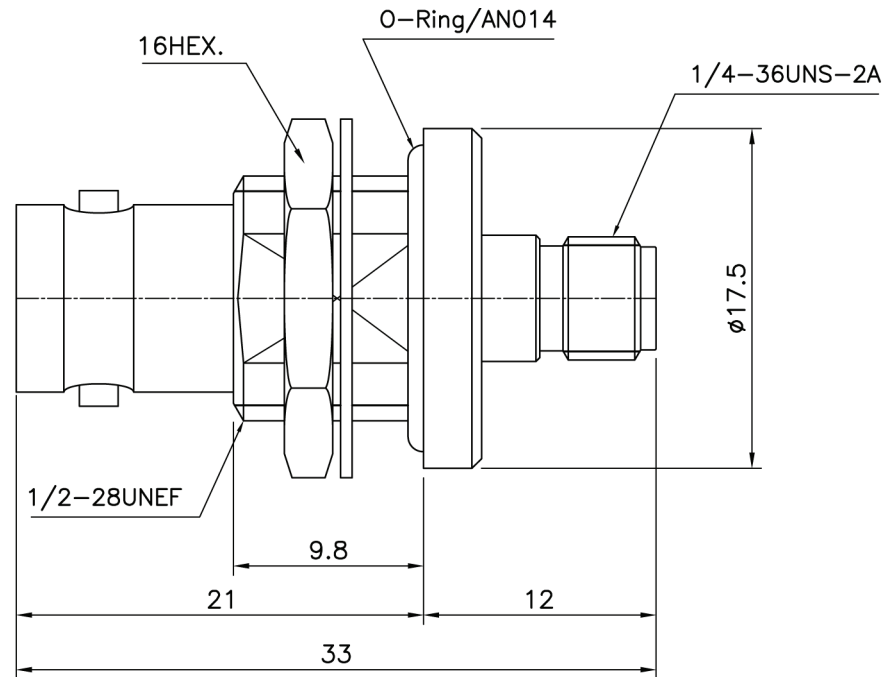


PART NUMBER

KAD177560

REV.

INITIAL

RoHS CompliantMOUNTING HOLES**Electrical Data**

Impedance
Frequency Range
Contact Current
Working Voltage
Contact Resistance

50 Ohm
DC 4GHz
DC 3.5A max.
500V rms
Center contacts: 2.0m Ohm
Outer contacts: 1.0m Ohm

Insulation Resistance
Insertion Loss
V.S.W.R

5000M Ohm min.
0.03dB max. at 3GHz
< or - 1.15
(Return loss better than 23.0dB)

Konnnect RF

540 NW University Blvd. Ste. 109
Port Saint Lucie, Florida, 34986
1-800-790-5887

PART NUMBER

KAD177560

DESCRIPTION

Adapter - Between Series - BNC Female Jack Bulkhead to SMA Female Jack (with O-Ring Seal)

CAGE CODE

664U0

SIGNATURE

X

Materials

Insulator	PTFE	
O-Ring	Silicone Rubber	
Nut / Washer	Brass	Nickel Plated
Body	Brass	Nickel Plated
Contact	Be-Cu	Gold Plated

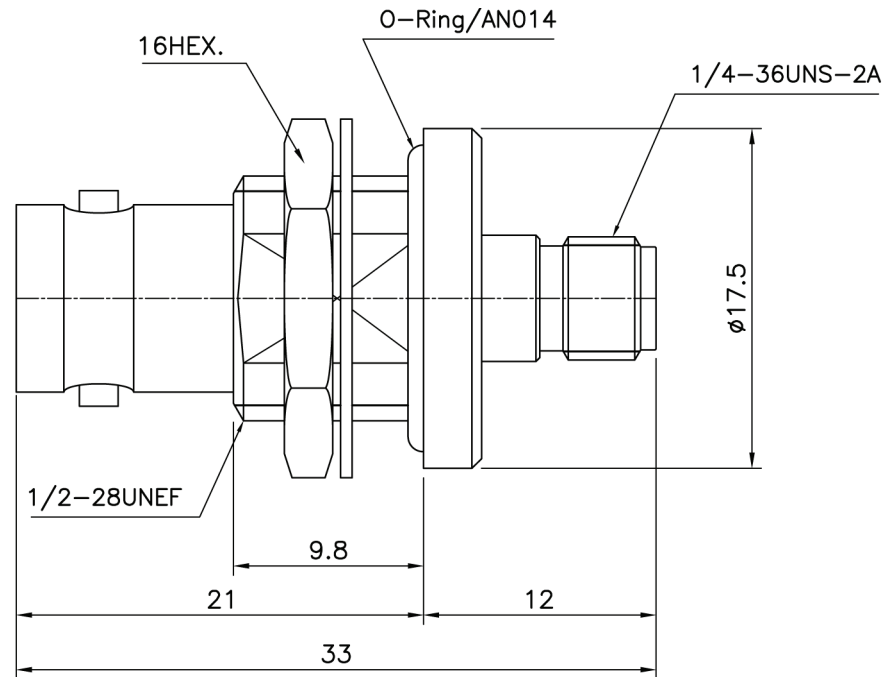
THIS DRAWING INCLUDING THE DESIGNS IS THE PROPERTY OF KONNECT RF AND IS NOT TO BE USED FOR ANY PURPOSE WITHOUT OUR APPROVAL.

PART NUMBER

KAD177560

REV.

INITIAL

RoHS Compliant**Electrical Data**

Impedance
Frequency Range
Contact Current
Working Voltage
Contact Resistance

50 Ohm
DC 4GHz
DC 3.5A max.
500V rms
Center contacts: 2.0m Ohm
Outer contacts: 1.0m Ohm

Insulation Resistance
Insertion Loss
V.S.W.R

5000M Ohm min.
0.03dB max. at 3GHz
< or - 1.15
(Return loss better than 23.0dB)

MOUNTING HOLES**Konnect RF**

540 NW University Blvd. Ste. 109
Port Saint Lucie, Florida, 34986
1-800-790-5887

PART NUMBER

KAD177560

DESCRIPTION

**Adapter - Between Series - BNC Female Jack
Bulkhead to SMA Female Jack (with O-Ring Seal)**

CAGE CODE

664U0

SIGNATURE

X

Materials

Insulator	PTFE	
O-Ring	Silicone Rubber	
Nut / Washer	Brass	Nickel Plated
Body	Brass	Nickel Plated
Contact	Be-Cu	Gold Plated

THIS DRAWING INCLUDING THE
DESIGNS IS THE PROPERTY OF
KONNECT RF AND IS NOT TO
BE USED FOR ANY PURPOSE
WITHOUT OUR APPROVAL.