

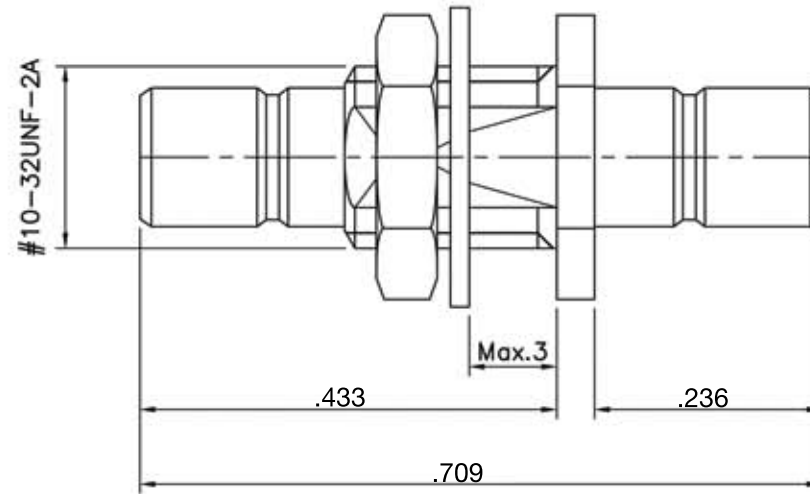
PART NUMBER

KAD177467

REV.

INITIAL

RoHS Compliant



540 NW University Blvd. Ste. 109
Port Saint Lucie, Florida, 34986
1-800-790-5887

PART NUMBER

KAD177467

DESCRIPTION

**Adapter, In-Series -
SMB Male Jack to Male Jack Bulkhead**

CAGE CODE

664U0

SIGNATURE

X

NOTES

THIS DRAWING INCLUDING THE
DESIGNS IS THE PROPERTY OF
KONNECT RF AND IS NOT TO
BE USED FOR ANY PURPOSE
WITHOUT OUR APPROVAL.

Item	Materials	Plating
Body,Nut	BRASS	Gold Plated
Center contact	BRASS	Gold Plated
Insulator	PTFE	-