

PART NUMBER

**KAD177408**

REV.

DATE

DESC.

INITIAL

**Electrical Data**

Impedance 50 Ohm  
 VSWR 1.2 Max. @ DC to 12.4 GHz  
 Insertion Loss  $0.07 \sqrt{f(\text{GHz})}$  dB Max.

**RoHS Compliant****Mechanical Data**

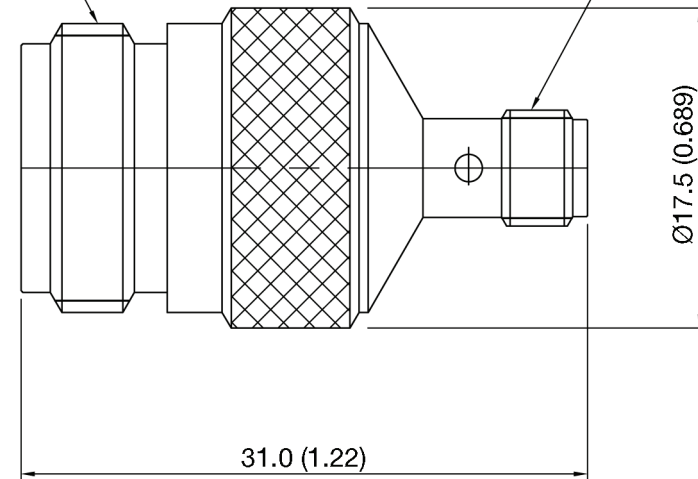
Mating Life 500 Cycles Min.  
 Screw Mating 8-10 lbs Coupling Nut Mating Torque

**Environmental Data**

Temp Range -40°C to +125°C  
 Vibration MIL-STD-202  
 Corrosion MIL-STD-202

5/8 - 24UNEF - 2A

1/4 - 36UNS - 2A

**Konnnect RF**

540 NW University Blvd. Ste. 109  
 Port Saint Lucie, Florida, 34986  
 1-800-790-5887

PART NUMBER

**KAD177408**

DESCRIPTION

**Adapter - Between Series - N Female Jack to SMA Female Jack**

CAGE CODE

**664U0**

SIGNATURE

X

**Materials**

Contact Pin  
 Body  
 Insulator

Be-Cu  
 Stainless Steel  
 PTFE

Gold Plated  
 Passivated

THIS DRAWING INCLUDING THE  
 DESIGNS IS THE PROPERTY OF  
 KONNECT RF AND IS NOT TO  
 BE USED FOR ANY PURPOSE  
 WITHOUT OUR APPROVAL.