

PART NUMBER

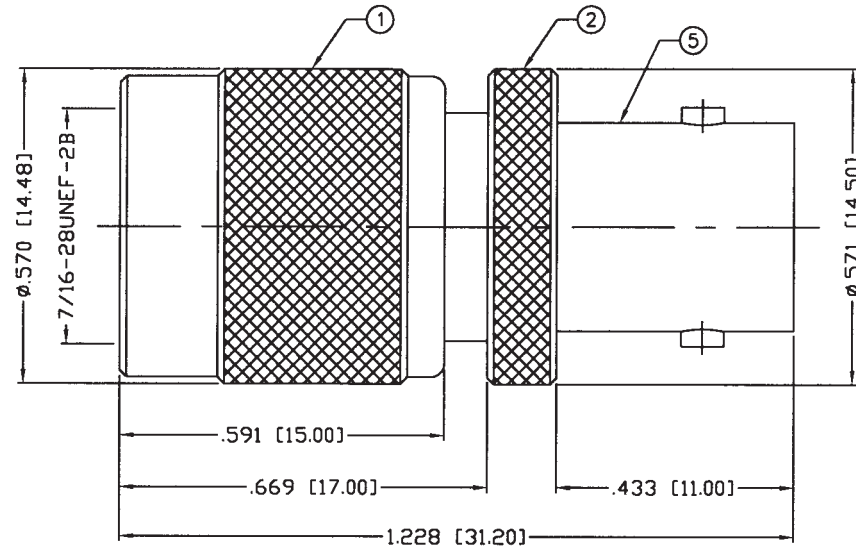
KAD177407

REV.

INITIAL

Electrical Data

Impedance	50 Ohm
Frequency Range	DC-4GHz
Working Voltage	500V rms @ sea level
Insulation Resistance	5000M Ohm min.
Temperature Range	-65°C to 85°C
VSWR	< 1.05:1 to 4GHz
Insertion Loss (dB)	-0.03 dB @ 4GHz
Dielectric Working Voltage	1500 VRMS

RoHS Compliant**Konnnect RF**

540 NW University Blvd. Ste. 109
Port Saint Lucie, Florida, 34986
1-800-790-5887

PART NUMBER

KAD177407

DESCRIPTION

**Adapter - Between Series
BNC Female Jack to TNC Male Plug**

CAGE CODE

664U0

SIGNATURE

X

THIS DRAWING INCLUDING THE
DESIGNS IS THE PROPERTY OF
KONNECT RF AND IS NOT TO
BE USED FOR ANY PURPOSE
WITHOUT OUR APPROVAL.

Materials

Shell	Brass	Nickel Plated
Insulator	PTFE	
Body	Brass	Nickel Plated
Contact	Phos. Bronze	Gold Plated
Gasket	Silicone Rubber	
R-Ring	Brass	Nickel Plated
Ring	Delring	White
Washer	Brass	Nickel Plated

PART NUMBER

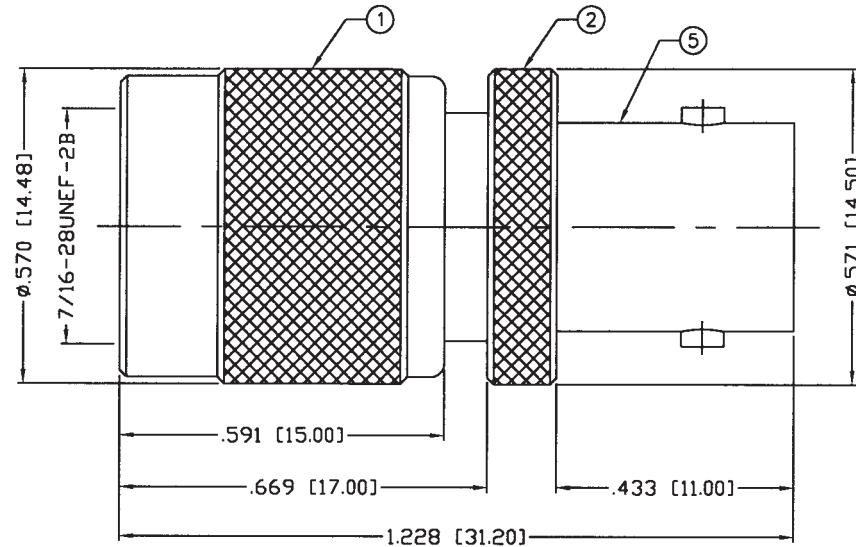
KAD177407

REV.

INITIAL

Electrical Data

Impedance	50 Ohm
Frequency Range	DC-4GHz
Working Voltage	500V rms @ sea level
Insulation Resistance	5000M Ohm min.
Temperature Range	-65°C to 85°C
VSWR	< 1.05:1 to 4GHz
Insertion Loss (dB)	-0.03 dB @ 4GHz
Dielectric Working Voltage	1500 VRMS

RoHS Compliant**Konnnect RF**

540 NW University Blvd. Ste. 109
Port Saint Lucie, Florida, 34986
1-800-790-5887

PART NUMBER

KAD177407

DESCRIPTION

**Adapter - Between Series
BNC Female Jack to TNC Male Plug**

CAGE CODE

664U0

SIGNATURE

X

THIS DRAWING INCLUDING THE
DESIGNS IS THE PROPERTY OF
KONNECT RF AND IS NOT TO
BE USED FOR ANY PURPOSE
WITHOUT OUR APPROVAL.

Materials

Shell	Brass	Nickel Plated
Insulator	PTFE	
Body	Brass	Nickel Plated
Contact	Phos. Bronze	Gold Plated
Gasket	Silicone Rubber	
R-Ring	Brass	Nickel Plated
Ring	Delring	White
Washer	Brass	Nickel Plated