

PART NUMBER

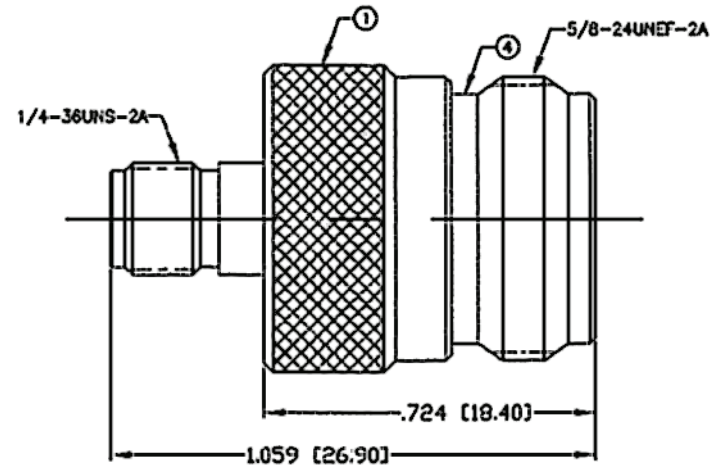
KAD177403

REV.

INITIAL

Electrical Data

Impedance	50 Ohm
Frequency Range	DC-12.4GHz
Working Voltage	500V rms @ sea level
Insulation Resistance	5000M Ohm min.
Temperature Range	-65°C to 165°C
VSWR	1.3 Max.
Insertion Loss (dB)	$0.03 \times \sqrt{f(\text{GHz})}$

RoHS Compliant**Konnnect RF**

540 NW University Blvd. Ste. 109
Port Saint Lucie, Florida, 34986
1-800-790-5887

PART NUMBER

KAD177403

DESCRIPTION

**Adapter - Between Series
N Female Jack to SMA Male Plug**

CAGE CODE

664U0

SIGNATURE

X

Materials

Housing	Brass	Nickel Plated
Insulator	PTFE	
Body	Brass	Nickel Plated
Contact	Phos. Bronze	Gold Plated

THIS DRAWING INCLUDING THE
DESIGNS IS THE PROPERTY OF
KONNECT RF AND IS NOT TO
BE USED FOR ANY PURPOSE
WITHOUT OUR APPROVAL.