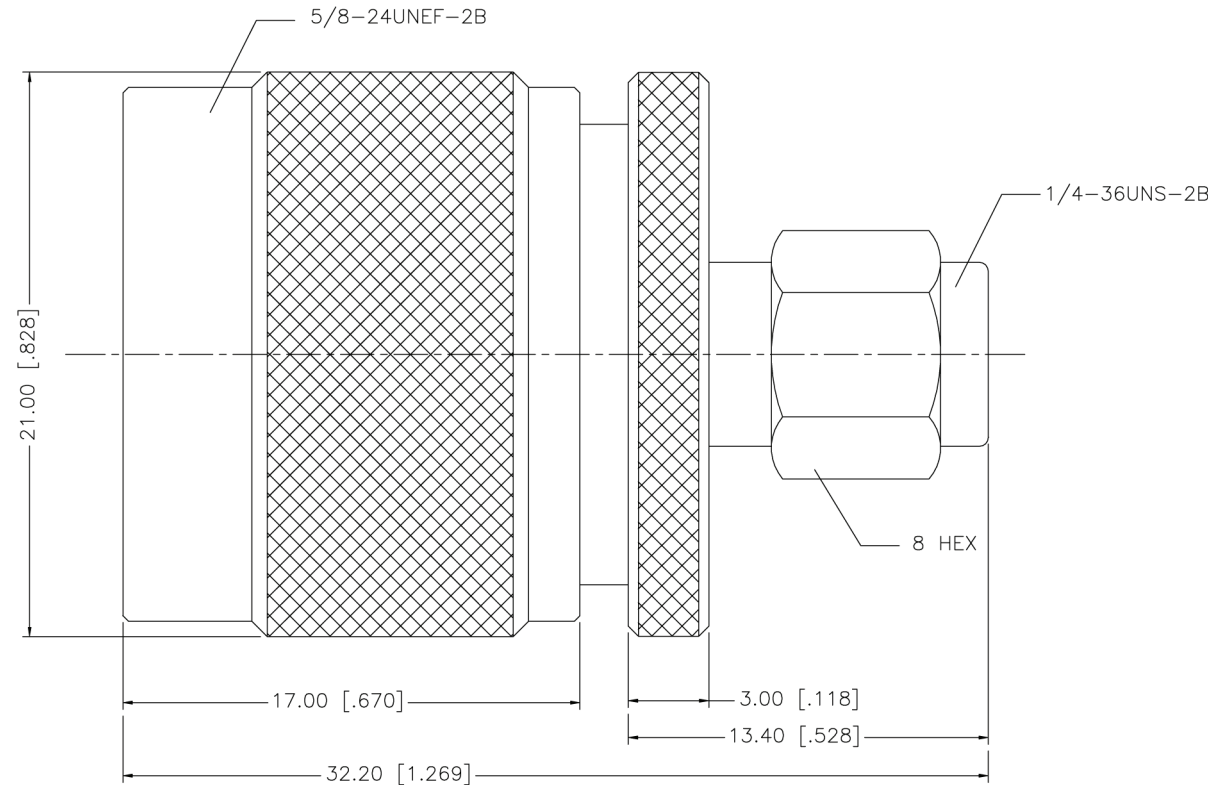


PART NUMBER

KAD177402

REV.

INITIAL

RoHS Compliant**Konnnect RF**

540 NW University Blvd. Ste. 109
 Port Saint Lucie, Florida, 34986
 1-800-790-5887

PART NUMBER

KAD177402

DESCRIPTION

**Adapter - Between Series
 N Male Plug to SMA Male Plug**

CAGE CODE

664U0

SIGNATURE

X

Materials

**Insulator
 Body
 Contact**

**Teflon
 Brass
 Brass**

**Nickel Plated
 Gold Plated**

THIS DRAWING INCLUDING THE
 DESIGNS IS THE PROPERTY OF
 KONNECT RF AND IS NOT TO
 BE USED FOR ANY PURPOSE
 WITHOUT OUR APPROVAL.