

PART NUMBER

**KAD177399**

REV.

DATE

DESC.

INITIAL

**Electrical Data**

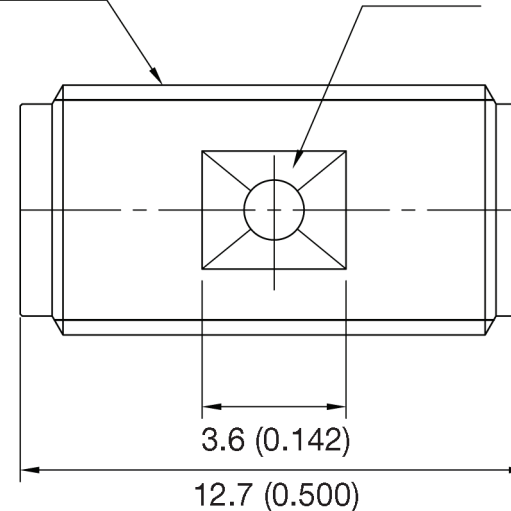
Impedance 50 Ohm  
 Frequency Range DC-18GHz  
 Contact Current DC 2.0A max.  
 Working Voltage 1000V  
 Contact Resistance Center contacts: 3.0m Ohm  
 Outer contacts: 2.5m Ohm

Insulation Resistance 5000M Ohm min.  
 Insertion Loss 0.05/f(GHz)dB  
 V.S.W.R < or = 1.15+0.02f(GHz)  
 RF Leakage -60dBm min. between 2~3GHz

**RoHS Compliant**

1/4 - 36UNS - 2A

H = 5.5

**Konnnect RF**

540 NW University Blvd. Ste. 109  
 Port Saint Lucie, Florida, 34986  
 1-800-790-5887

PART NUMBER

**KAD177399**

DESCRIPTION

**Adapter - In-Series - SMA Female Jack to Female Jack**

CAGE CODE

**664U0**

SIGNATURE

X

**Materials**

Body	Stainless Steel	Gold Plated
Center Contact	Be-Cu	Gold Plated
Insulator	PTFE	

THIS DRAWING INCLUDING THE  
 DESIGNS IS THE PROPERTY OF  
 KONNECT RF AND IS NOT TO  
 BE USED FOR ANY PURPOSE  
 WITHOUT OUR APPROVAL.