

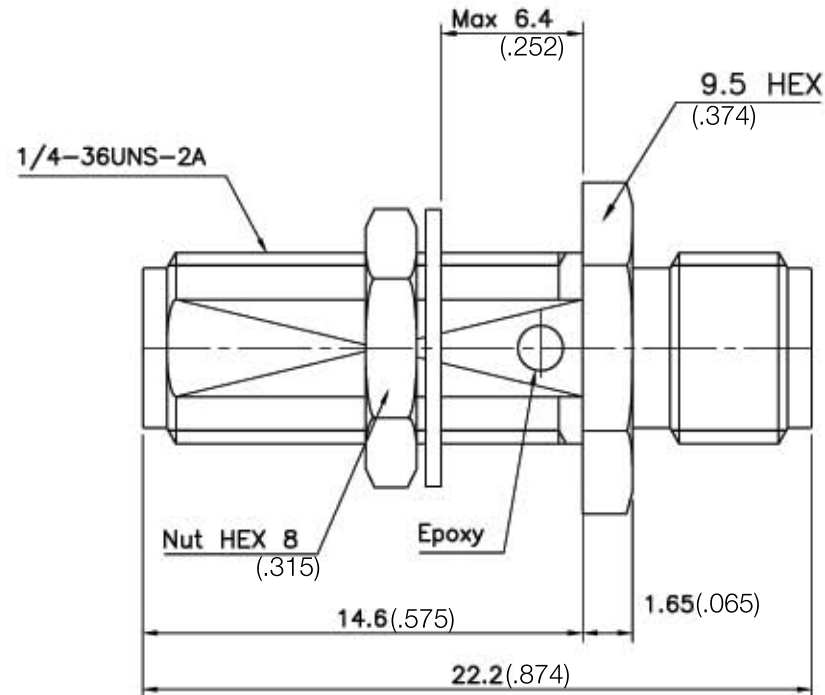
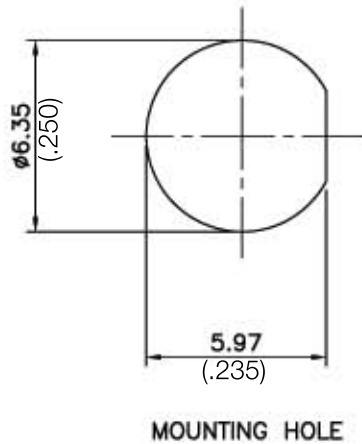
PART NUMBER

KAD177390

REV.

INITIAL

RoHS Compliant



540 NW University Blvd. Ste. 109
 Port Saint Lucie, Florida, 34986
 1-800-790-5887

PART NUMBER

KAD177390

DESCRIPTION

**Adapter, In-Series -
 SMA Female to Female Bulkhead**

CAGE CODE

664U0

SIGNATURE

X

NOTES

THIS DRAWING INCLUDING THE
 DESIGNS IS THE PROPERTY OF
 KONNECT RF AND IS NOT TO
 BE USED FOR ANY PURPOSE
 WITHOUT OUR APPROVAL.

Connector parts	Materials	Finish
Body,Nut,Washer	Stainless steel	Passivated
Center contact	Beryllium copper	Gold Plated
Insulator	PTFE	-