

PART NUMBER

KAD177374

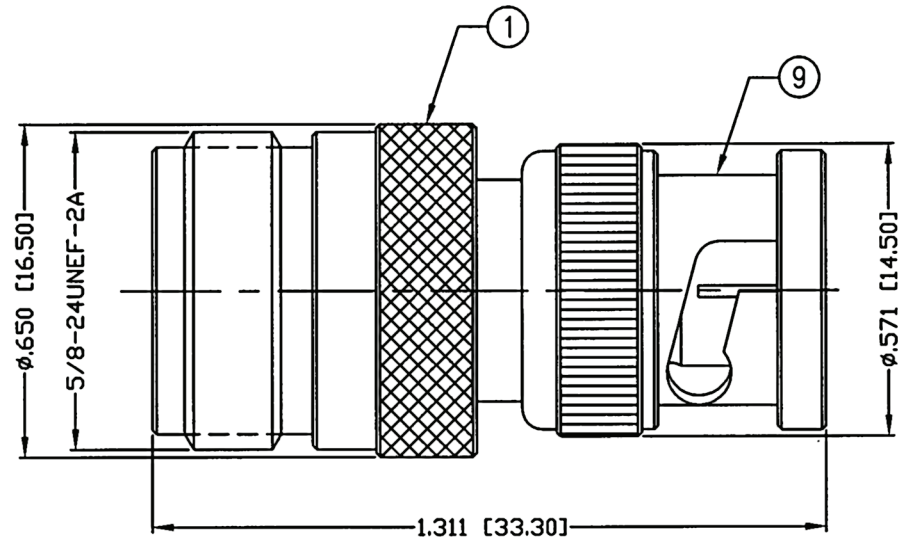
REV.

INITIAL

Electrical Data

Impedance
Frequency Range
Working Voltage
Insulation Resistance
Temperature Range

50 Ohm
DC-4GHz
500 V rms @ sea level
5k M Ohms min.
-65°C to 85°C

RoHS Compliant**Konnnect RF**

540 NW University Blvd. Ste. 109
Port Saint Lucie, Florida, 34986
1-800-790-5887

PART NUMBER

KAD177374

DESCRIPTION

**Adapter - Between Series
N Female Jack to BNC Male Plug**

CAGE CODE

664U0

SIGNATURE

X

THIS DRAWING INCLUDING THE
DESIGNS IS THE PROPERTY OF
KONNECT RF AND IS NOT TO
BE USED FOR ANY PURPOSE
WITHOUT OUR APPROVAL.

Materials

Insulator	PTFE	
Body	Brass	Silver Plated
Contact	Brass	Gold Plated
Ground Ring	Brass	Silver Plated
Washer	Brass	Silver Plated
Gasket	Rubber	
Shell	Brass	Silver Plated