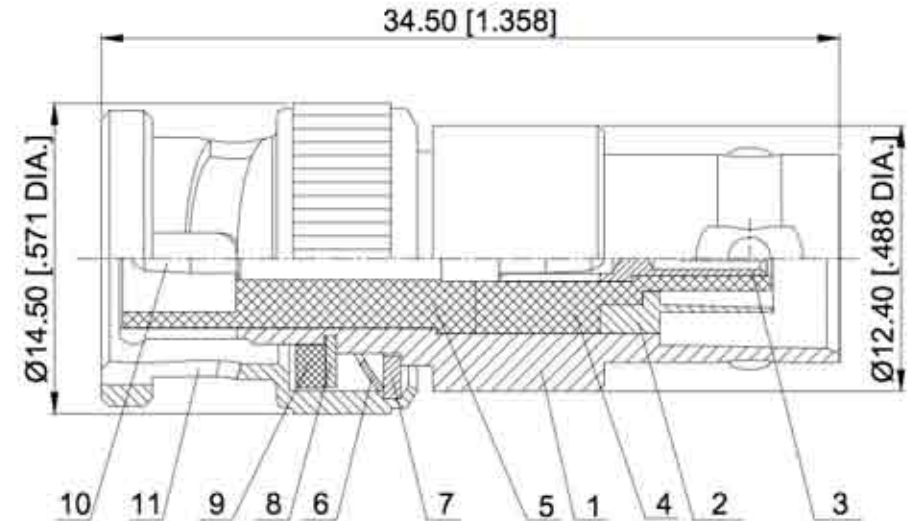
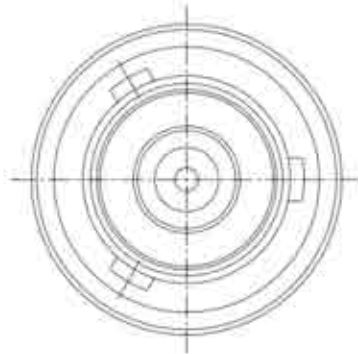


PART NUMBER

**KAD177369**

REV.

INITIAL



## Technical Data

1. Impedance: 50Ω
2. Frequency Range: DC to 500MHz
3. Voltage: 500V max.
4. Center contact resistance: 1.5mΩ max.
5. Body contact resistance: 1mΩ max.
6. Insulation resistance: 5000MΩ min.
7. Dielectric withstand voltage: 1500VRMS
8. VSWR: 1.35 max.

540 NW University Blvd. Ste. 109  
Port Saint Lucie, Florida, 34986  
1-800-790-5887

PART NUMBER

**KAD177369**

DESCRIPTION

**Adapter, Between Series -  
BNC Male Plug to Triax BNC Female Jack**

CAGE CODE

**664U0**

SIGNATURE

X

NOTES

THIS DRAWING INCLUDING THE  
DESIGNS IS THE PROPERTY OF  
KONNECT RF AND IS NOT TO  
BE USED FOR ANY PURPOSE  
WITHOUT OUR APPROVAL.

S/N	DESCRIPTION	MATERIAL	UNDER PLATING	PLATING
1	Shell	Brass	Copper, 2μm(78.7mil)	Nickel, 2.5μm(98.4mil)
2	Outer Contact	Brass	Nickel, 2μm(78.7mil)	Gold, 0.1μm(3.9mil)
3	Center Contact	Beryllium Copper Alloy	Nickel, 2μm(78.7mil)	Gold, 0.1μm(3.9mil)
4, 5	Insulator	PTFE		
6	Washer	Beryllium Copper Alloy	Copper, 2μm(78.7mil)	Nickel, 2.5μm(98.4mil)
7, 8	Spacer	Brass	Copper, 2μm(78.7mil)	Nickel, 2.5μm(98.4mil)
9	Gasket	MVQ(Silicone Rubber)		
10	Pin	Brass	Nickel, 2μm(78.7mil)	Gold, 0.1μm(3.9mil)
11	Coupling Nut	Brass	Copper, 2μm(78.7mil)	Nickel, 2.5μm(98.4mil)