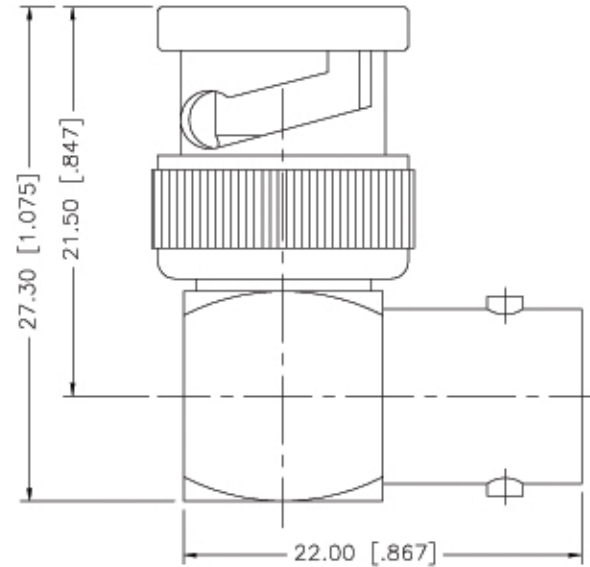


PART NUMBER

KAD177349

REV.

INITIAL



540 NW University Blvd. Ste. 109
Port Saint Lucie, Florida, 34986
1-800-790-5887

PART NUMBER

KAD177349

DESCRIPTION **Adapter, In-Series -
BNC Male Plug to Female Jack, Right Angle**

CAGE CODE

664U0

SIGNATURE

X

NOTES

THIS DRAWING INCLUDING THE
DESIGNS IS THE PROPERTY OF
KONNECT RF AND IS NOT TO
BE USED FOR ANY PURPOSE
WITHOUT OUR APPROVAL.

4	CONTACT PIN	BRASS	GOLD	1
3	CONTACT PIN	PHOS. BRONZE	GOLD	1
2	INSULATOR	DELFIN	NATURAL	2
1	BODY	BRASS	NICKEL	1
	DESCRIPTION	MATERIAL	FINISH	QTY