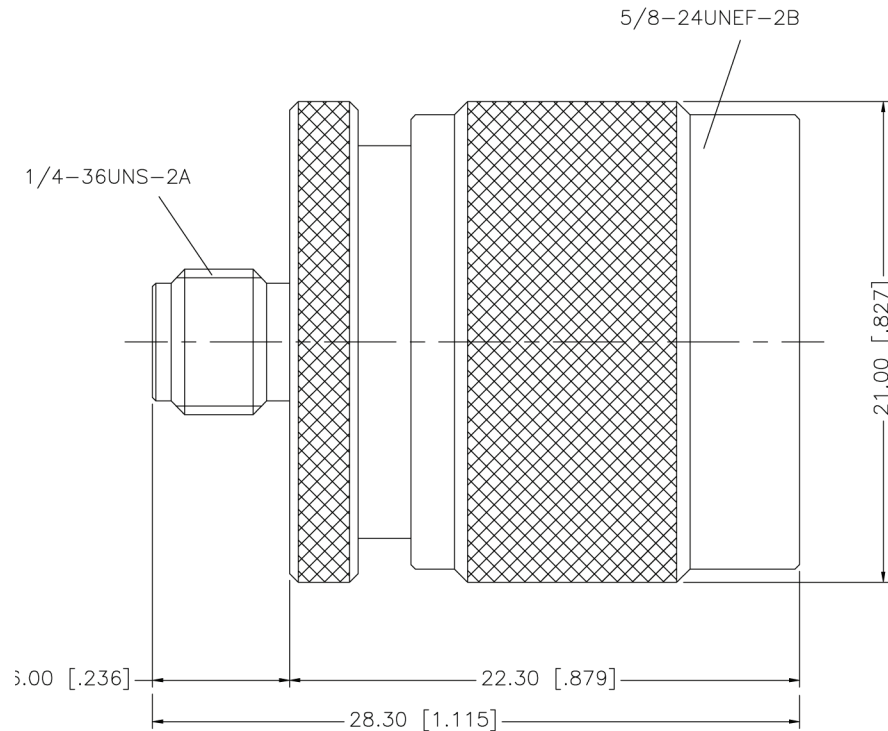


PART NUMBER

KAD177347

REV.

INITIAL

RoHS Compliant

540 NW University Blvd. Ste. 109
Port Saint Lucie, Florida, 34986
1-800-790-5887

PART NUMBER

KAD177347

DESCRIPTION

**Adapter - Between Series
N Male Plug to SMA Female Jack**

CAGE CODE

664U0

SIGNATURE

X

Materials

**Insulator
Body
Contact**

**Teflon
Brass
Brass**

**Nickel Plated
Gold Plated**

THIS DRAWING INCLUDING THE
DESIGNS IS THE PROPERTY OF
KONNECT RF AND IS NOT TO
BE USED FOR ANY PURPOSE
WITHOUT OUR APPROVAL.