

PART NUMBER

KAD177336

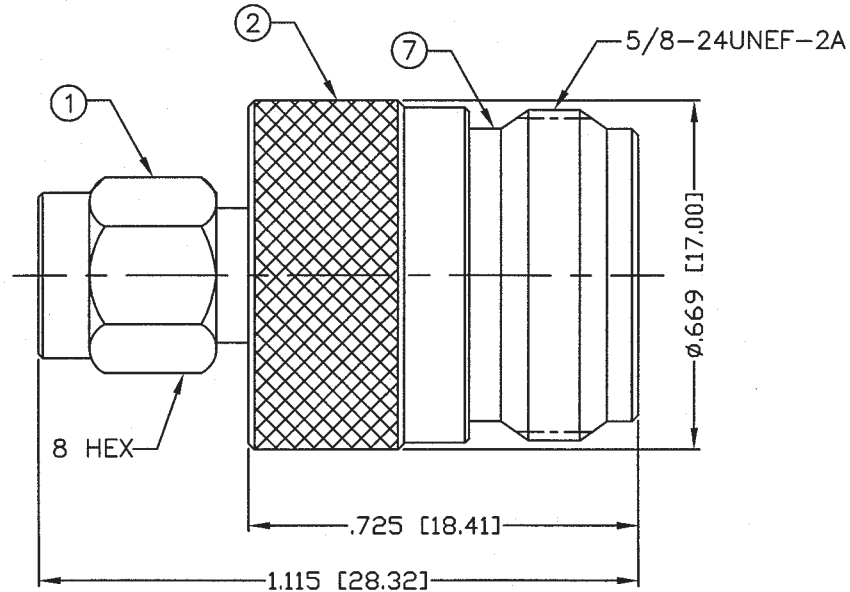
REV.

INITIAL

Electrical Data

Impedance
Frequency Range
Working Voltage
Insulation Resistance
Temperature Range

50 Ohm
DC-11GHz
500V rms @ sea level
5000M Ohm min.
-65°C to 85°C

RoHS Compliant**Konnnect RF**

540 NW University Blvd. Ste. 109
Port Saint Lucie, Florida, 34986
1-800-790-5887

PART NUMBER

KAD177336

DESCRIPTION

**Adapter - Between Series
N Female Jack to SMA Male Plug**

CAGE CODE

664U0

SIGNATURE

X

THIS DRAWING INCLUDING THE
DESIGNS IS THE PROPERTY OF
KONNECT RF AND IS NOT TO
BE USED FOR ANY PURPOSE
WITHOUT OUR APPROVAL.

Materials

Shell	Brass	Nickel Plated
Housing	Brass	Nickel Plated
Insulator	PTFE	
Body	Brass	Nickel Plated
Contact	Phos. Bronze	Gold Plated
Gasket	Silicone Rubber	
Retaining Ring	Be-Cu	