

PART NUMBER

KAD177282

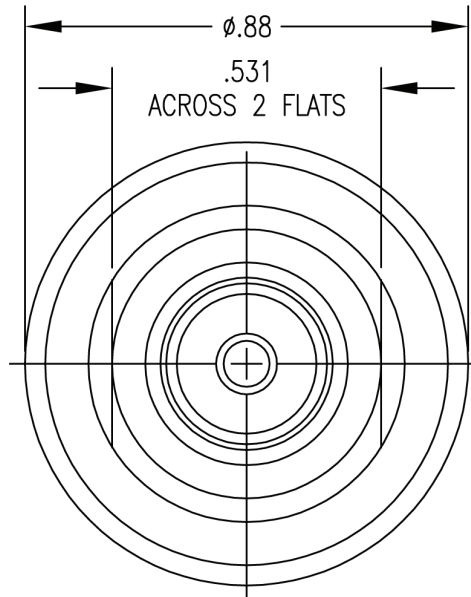
REV.

INITIAL

Electrical Data

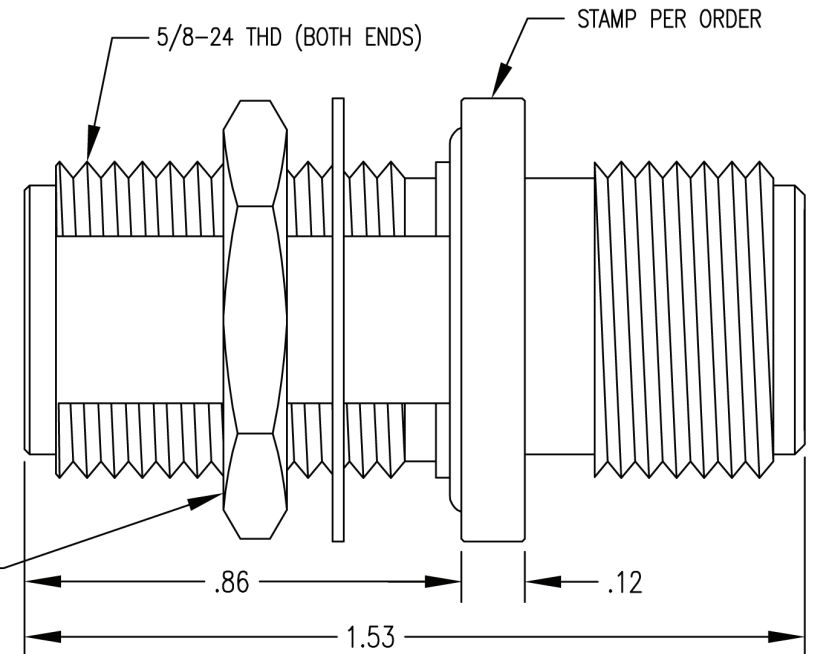
Impedance
Frequency Range
Voltage Rating
DWV
Temperature Range

50 Ohms
DC - 2 GHz
1000V RMS
2500V RMS @ 60
-65°C to +165°C

RoHS Compliant

VIEW WITH HEX. NUT AND
LOCKWASHER REMOVED

.94 ACROSS FLATS
x .125 THICK

**Konnnect RF**

540 NW University Blvd. Ste. 109
Port Saint Lucie, Florida, 34986
1-800-790-5887

PART NUMBER

KAD177282

DESCRIPTION

**Adapter - In-Series - N Female Jack to Female Jack
Bulkhead Mount - Hermetic Seal**

CAGE CODE

664U0

SIGNATURE

X

THIS DRAWING INCLUDING THE
DESIGNS IS THE PROPERTY OF
KONNECT RF AND IS NOT TO
BE USED FOR ANY PURPOSE
WITHOUT OUR APPROVAL.

Materials

Insulator
Contact
Lockwasher
Other Metal Parts
O-Ring
Seal

Teflon
Be-Cu
Phosphor Bronze
Brass
Silicone Rubber
Glass/Steel

Gold Plated
Nickle Plated