

PART NUMBER

KAD177279

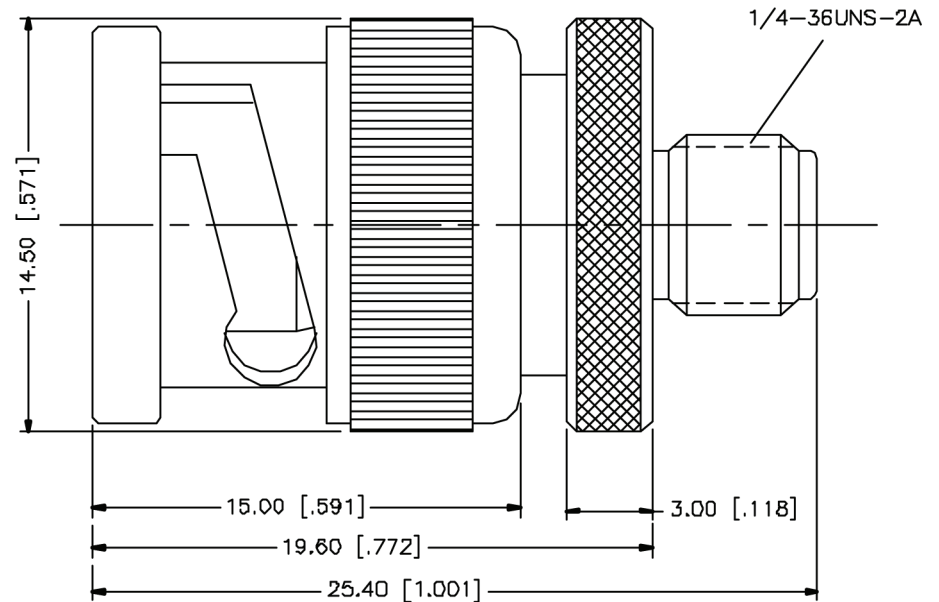
REV.

INITIAL

Electrical Data

Impedance
Frequency Range
Working Voltage
Insulation Resistance
Temperature Range

50 Ohm
DC-4GHz
335 V rms @ sea level
5k M Ohms min.
-65°C to 85°C

RoHS Compliant**Konnect RF**

540 NW University Blvd. Ste. 109
Port Saint Lucie, Florida, 34986
1-800-790-5887

PART NUMBER

KAD177279

DESCRIPTION

**Adapter - Between Series
BNC male to SMA female**

CAGE CODE

664U0

SIGNATURE

X

THIS DRAWING INCLUDING THE
DESIGNS IS THE PROPERTY OF
KONNECT RF AND IS NOT TO
BE USED FOR ANY PURPOSE
WITHOUT OUR APPROVAL.

Materials

Insulator	PTFE	
Body	Brass	Nickel Plated
Contact	Phos. Broze	Gold Plated
Ground Ring	Brass	Nickel Plated
Washer	Brass	Nickel Plated
Gasket	Rubber	
Shell	Brass	Nickel Plated